

Fog/Jet Monitor Hydraulic FJM-H

General Description

A powerful fire extinguishing monitor with exceptionally good performance characteristics. The FJM has a variable stream pattern and throw range which can easily be adjusted to meet different site requirements.

Remotely managed hydraulic elevation and rotation control, the FJM-H range has manual or remotely operated (MVH) fog/jet pattern controls, with a hydraulic power pack designed to customer requirements.

Application Description

Intended for fixed mounting, the monitor is designed for an optimised delivery of water or foam from a solid jet to a fog pattern by remote control.

Product Features

- Hydraulic remote control
- Adjustable stream pattern and throw range
- Manufactured in bronze and stainless steel
- High quality and reliability
- Built in manual override
- Compact, balanced design for better performance
- Low friction bearing design for easy operation

Connections

- Foam/water inlet: flanged according to DIN PN 16, ANSI 150 lbs and JIS PN 10

Optional Components

- Control system including hydraulic pack and operating panels, custom solutions available on request
- Built-in foam induction for all models
- Optional suction hoses and valves

Listings and Approvals

- Det Norske Veritas DNV
- Bureau Veritas (BV)
- Russian Maritime Register of Shipping (RMRS)

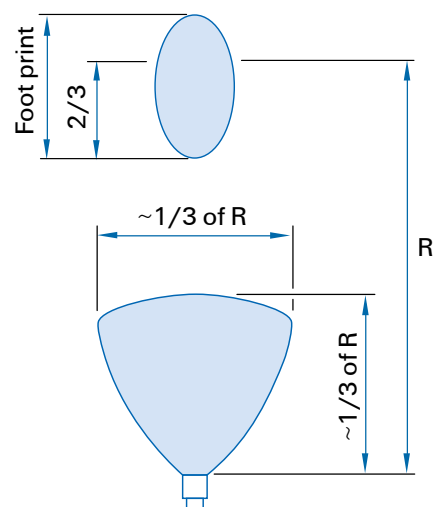


Order Information - Please Specify

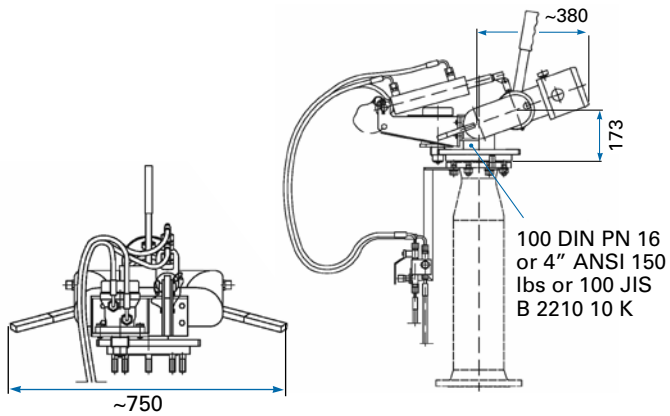
1. Part number
2. Type
3. Connection type
4. Capacity: flow and pressure
6. Foam induction (S-version)

Part No.	Description
■ 161610818	FJM-100 H DIN/ANSI
■ 161610811	FJM-100 H DIN/JIS
■ 161610825	FJM-100 H MVH DIN/ANSI
■ 161610832	FJM-100 H MVH DIN/JIS
■ 161615809	FJM-150 H DIN/ANSI/JIS
■ 161615813	FJM-150 H MVH DIN/ANSI/JIS

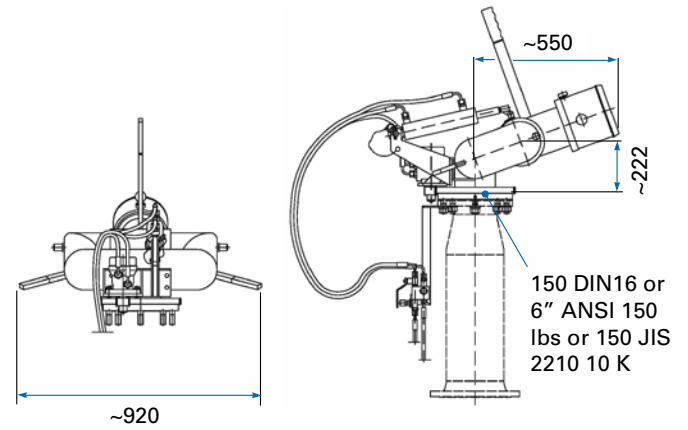
FJM Monitors Average Fog Pattern (In Still Air)



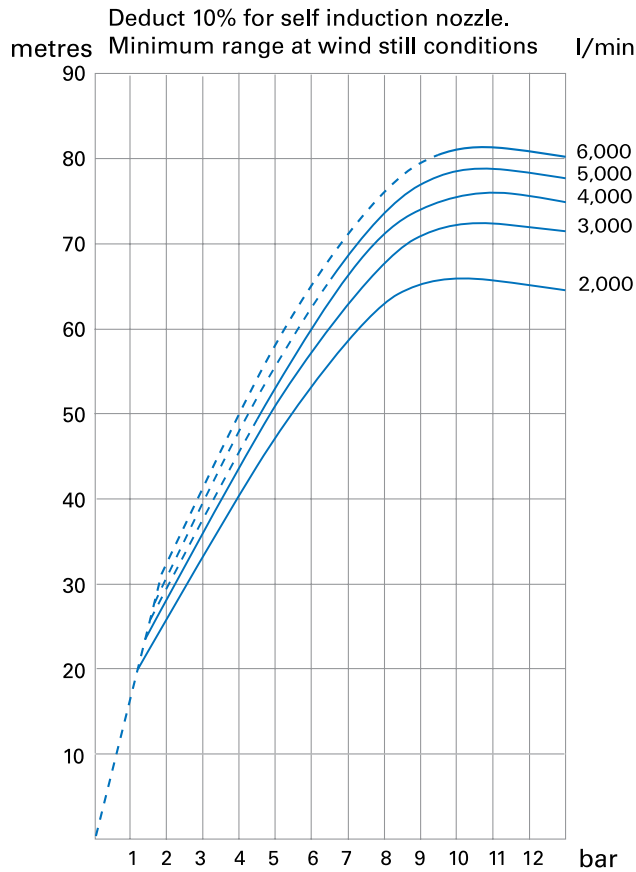
FJM-100 H



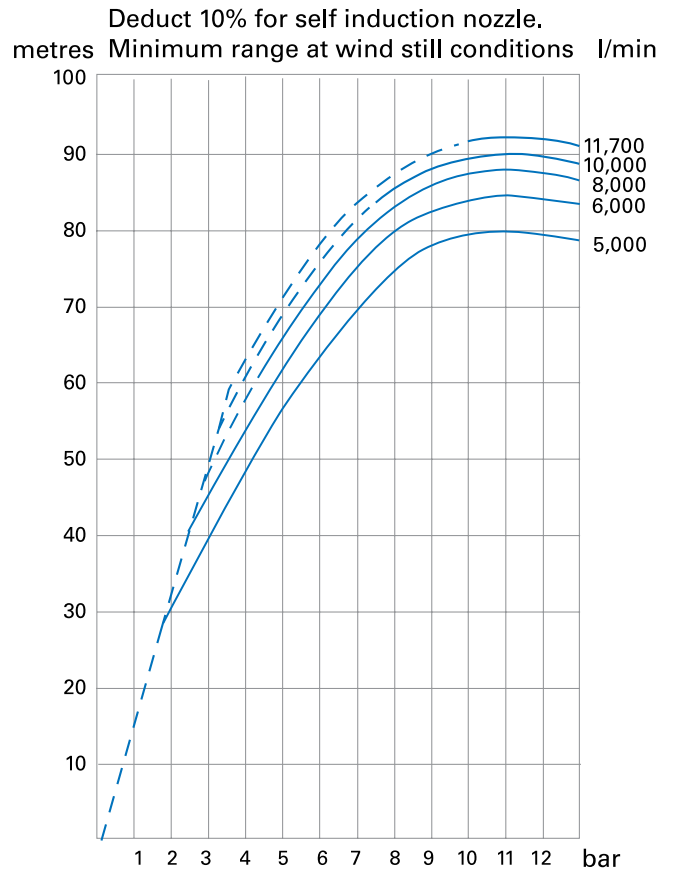
FJM-150 H



FJM-100 Monitor - Range of Jet



FJM-150 Monitor - Range of Jet



$$\text{Reaction force (N)} = 0.233 \times Q \text{ (l/min)} \times \sqrt{p \text{ (bar)}}$$

Performance Data

FJM-H Hydraulic

■ Size	100	150
■ Water capacity	min 1,000l/min - max 6,000l/min	min 3,000l/min - max 11,700l/min
■ Design pressure	4-16 bar optimum 10-12bar	4-16 bar optimum 10-12bar
■ Oil pressure	60 ± 10 bar	60 ± 10 bar
■ Oil flow	Approx. 2 l/min	Approx. 2 l/min
■ Rotation velocity	Approx. 1 l/min	Approx. 1 l/min
■ Rotation	± 165°	± 165°
■ Elevation	-45° to +60°	-45° to +60°
■ Weight	60 kgs / 133 lbs	80 kgs / 177 lbs

Note: The nozzle can be easily adjusted on site for any specified capacity and pressure within its working range, according to separate adjustment table.

1 bar = 0.1 MPa = 14.5 psi

www.skum.com